

The original Thru-Hull with the smallest hole cut-out for a Pro Series light at only 1”.

**KEY FEATURES**



Up To 7,000  
Fixture Lumens



60°  
Top Beam



20°  
Side Beam



Elliptical  
Beam

**COLOURS PART#**



Ultra White  
**001-500730**



Midnight Blue  
**001-500731**



Sea Green  
**001-500732**

With 7,000 fixture lumens and a 1” (25mm) profile head, the 2010TH is the ideal underwater light for transom mount applications.

Suitable for all hull types up to and over 65’ (20m) using 2-6 lights with spacing of 3-5’ (1-1.5m). For metal hulls, choose the Delrin Isolation Sleeve accessory. Deutsch plug-and-play quick connectors make this light a quick fit.

Maintenance is easy; just wipe away marine growth from its scratch resistant Tritonium™ glass lens.

Three super bright LED colour options, or for an even brighter light choose 3010TH HD Gen2. For a light with a lower profile head for hull mount applications, or that can be exchanged without hauling, choose from our XFM models. For a light with colour-change capabilities choose from our Colours models.

With approval by ABS, the Thru Hull Pro Series HD is trusted by boat builders and owners worldwide.

- 1” Hole in Hull
- Aluminium Bronze AB2
- Three LED colour options

## 60/20° ELLIPTICAL BEAM ANGLE

A wide-angled, focused beam lights up a large area of the water.

## PLUG AND PLAY

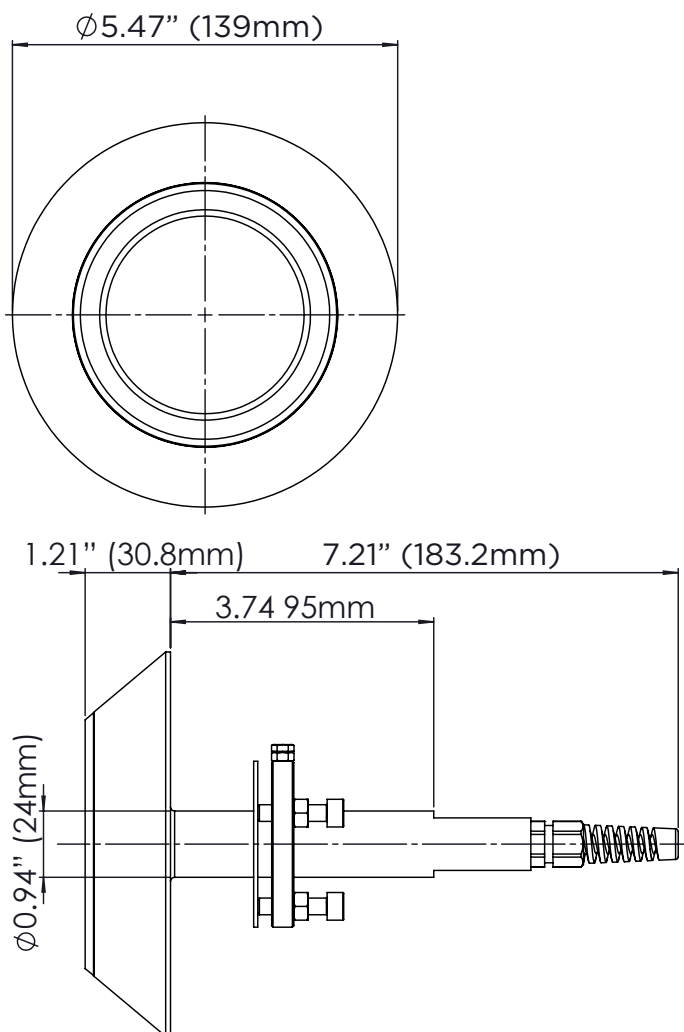
Deutsch plug-and-play quick connectors make this light a quick fit.

## EASY TO CLEAN

Thanks to its Tritonium coating, a simple wipe of the lens removes any underwater growth, saving hours of scrubbing each time you use it.

## THERMAL PROTECTION

In the event of overheating, the thermal protection turns off the power to avoid any damage until the unit has cooled.



## 2010 TH HD Gen2

### BOX CONTENTS

Light Engine

12/24V DC Driver w/Power Cable

2m/6' Connection Cable

Quick Install Guide

ACCESSORIES	PART
Delrin Isolation Sleeve for 2010 TH	001-500164
Locking Nut Kit for All Thru-Hull Models	050-000029
2m (6.5') Plug & Play Extension Cable	001-500753
6m (19.5') Plug & Play Extension Cable	001-500754
4 Way V DC Power Junction Box	001-500247
Pro Series HD Gen2 AC/Mains Power Pack	001-500755

### MOUNTING RECOMMENDATIONS

Boat size	up to and over 65' (20m)
Transom / Hull spacing	3-5' (1-1.5m)
Transom quantity	2-6
Maximum hull thickness	3.5" (90mm)
Installation depth (to top of fixture)	8-10" (200-250mm)

### TECHNICAL

Lumens	11400
Fixture Lumens	7000
Typical LED life expectancy	40,000+ Hours
Minimum-Maximum operating voltage DC	9-32V DC
Current / Amp draw (DC)	12V DC 5.3A 24V DC 2.7A
Approx. light penetration (avg. water quality)	59' (18m)
Approx. Light penetration (perfect water quality)	up to 140' (45+m)
Driver type	External, Reverse Polarity Protected

### PHYSICAL

Driver size (L x W x H) Excluding Connectors	180x80x50mm (7.09 x 3.15 x 1.97")
Total weight	6.6lbs (3kgs)
Extension cable length (standard)	6.5' (2m)
Hole cut-out for cable entry	1" (25mm)
Material	Aluminium Bronze AB2

\*Fixture Lumens rating is a measurement of total light output from a finished lighting fixture. This measurement can only be obtained from either a Goniophotometer or an Integrating sphere. Fixture Lumens is the most reliable, professional measurement of light output. OceanLED has heavily invested in these measurement apparatus and has had all its data verified by the Lighting Association of Great Britain.